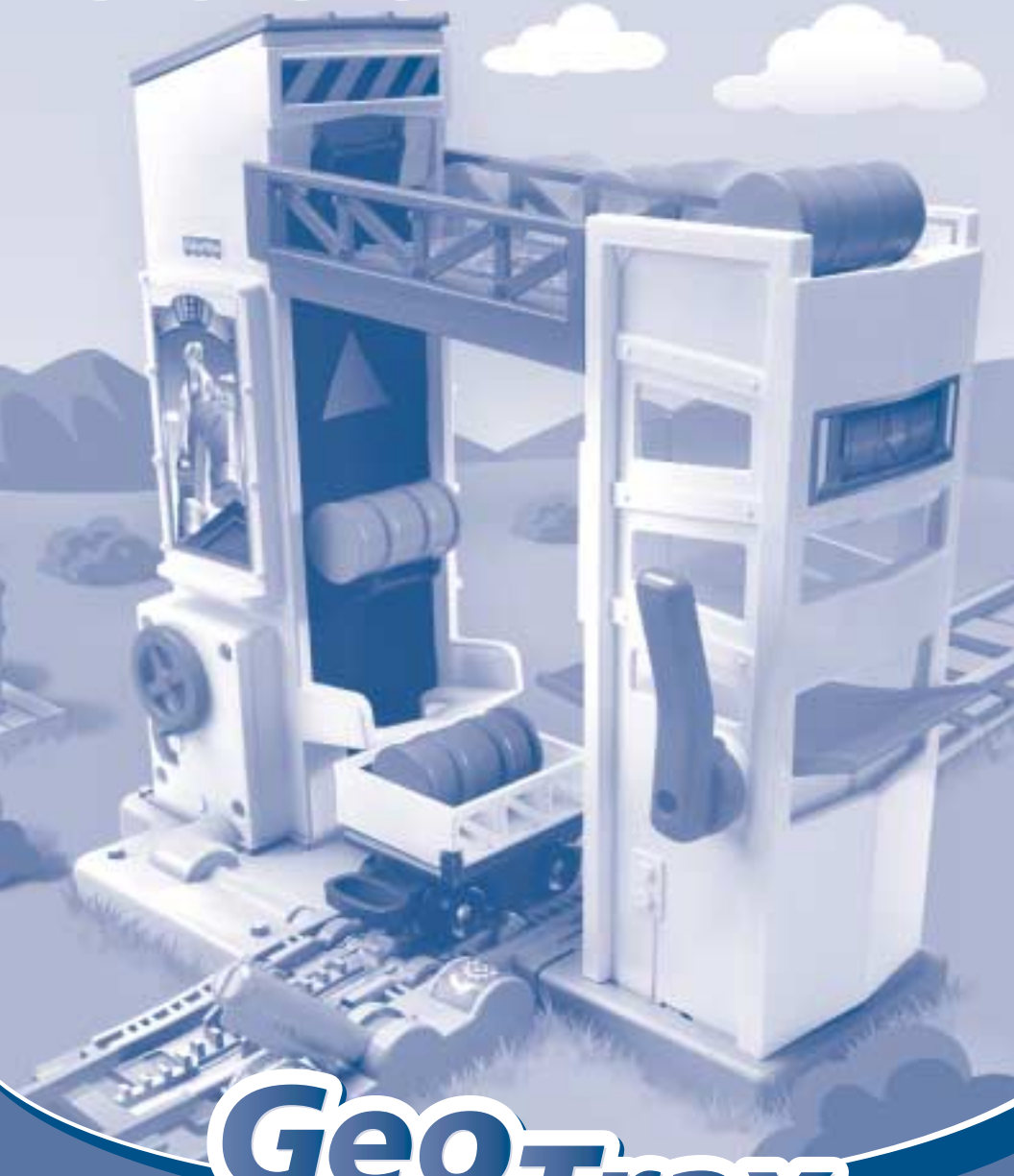


H4833

[www.fisher-price.com](http://www.fisher-price.com)

**Fisher-Price®**



**GeoTrax™**  
*Rail & Road System*

**Liftin' Roll Barrel Loader™**

# Parts

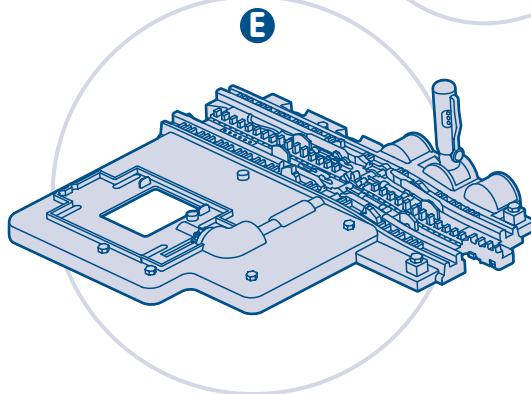
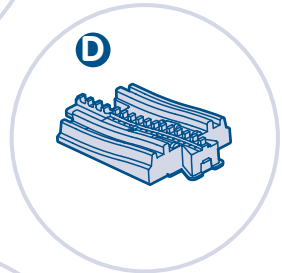
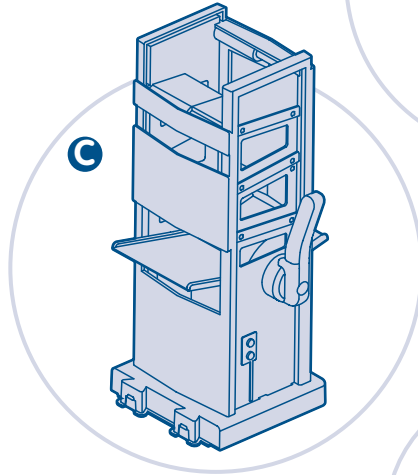
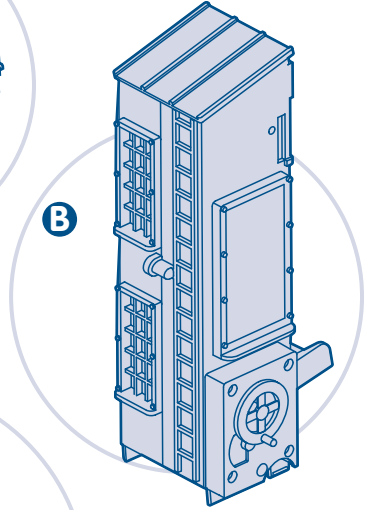
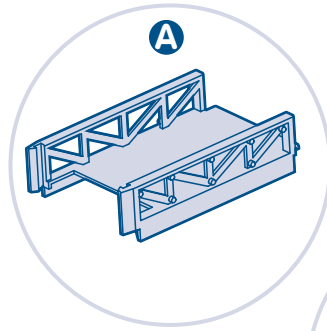
- A. Bridge
- B. Lift Tower
- C. Drop Tower
- D. Short Track
- E. Base

Parts not shown:  
Loader Car  
3 Barrels

Please keep this instruction sheet for future reference, as it contains important information.

Adult assembly is required.

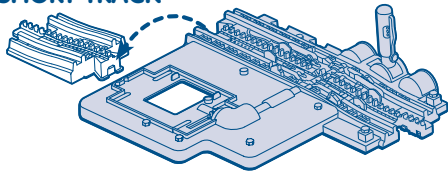
No tools needed for assembly.



# Assembly

1

SHORT TRACK

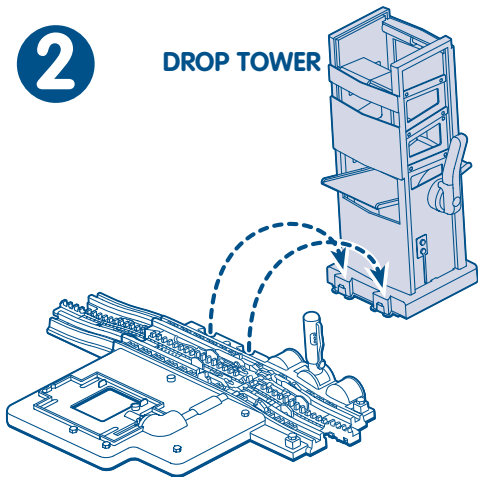


BASE

- Fit the base onto the short track, as shown.

2

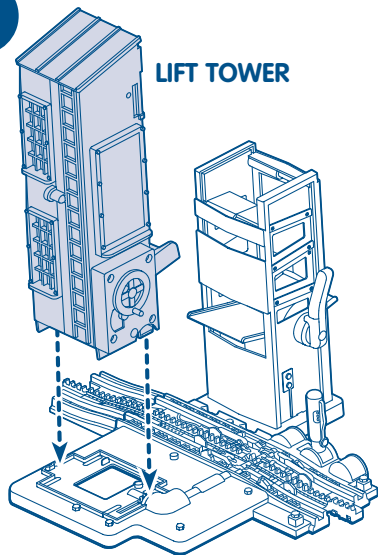
DROP TOWER



- Set the base grooves onto tabs on the drop tower, as shown.

3

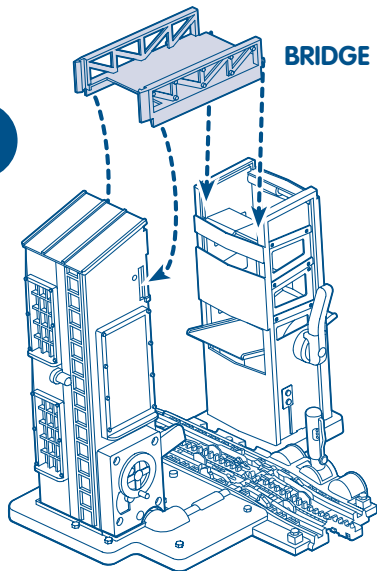
LIFT TOWER



- Press firmly to "snap" the lift tower onto the base.

4

BRIDGE



- Fit the tabs on each end of the bridge into the matching grooves in the lift tower and drop tower. **Assembly is now complete.**

# Crank It! Roll It! Load It!



Turn the crank on the lift tower to raise barrels to the top.



Barrels roll across the bridge and down through the drop tower.



Flip the lever at the bottom of the drop tower to load barrels.

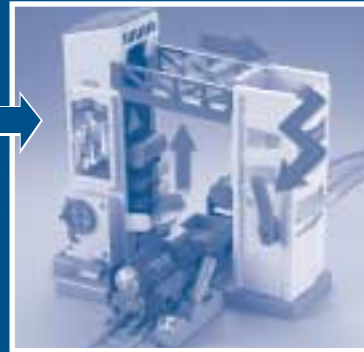
## Add your RC Train for the Magic of **GeoMotion™**!



Flip the GeoMotion™ switch.



Use your remote controller to drive your RC engine under the bridge.



GeoMotion™ raises the barrels and drops them down the tower. Flip the lever to load them into the train.

# The more you collect, the more fun it gets!



Multiple track packs used to create this configuration. Each sold separately and subject to availability.

RC train and extra track pieces shown are sold separately and subject to availability.

**Fisher-Price®**

**GeoTrax™**  
Rail & Road System

Visit [www.fisher-price.com](http://www.fisher-price.com)  
to see the entire world of  
GeoTrax™ accessories!

**Questions? We'd like to hear from you!**

Call Fisher-Price® Consumer Relations, toll-free at **1-800-432-5437**,

8 AM - 6 PM EST Monday through Friday. Hearing-impaired  
consumers using TTY/TDD equipment, please call 1-800-382-7470.

Or, visit us on line at [www.service.mattel.com](http://www.service.mattel.com).

Write to us at:

Fisher-Price® Consumer Relations  
636 Girard Avenue  
East Aurora, New York 14052

**For countries outside the United States:**

**CANADA:** Questions? **1-800-432-5437**. Mattel Canada Inc., 6155 Freemont Blvd.,  
Mississauga, Ontario L5R 3W2; [www.service.mattel.com](http://www.service.mattel.com).

**GREAT BRITAIN:** [Mattel UK Ltd, Vanwall Business Park, Maidenhead SL6 4UB](http://www.mattel.co.uk). Helpline: 01628 500302.

**AUSTRALIA:** Mattel Australia Pty. Ltd., 658 Church Street, Locked Bag #870, Richmond, Victoria 3121 Australia.  
Consumer Advisory Service 1300 135 312.

**NEW ZEALAND:** 16-18 William Pickering Drive, Albany 1331, Auckland.

**ASIA:** Mattel East Asia Ltd, Room 1106, South Tower, World Finance Centre, Harbour City, Tsimshatsui, HK, China.